

More Information at:



smart drilling

SCANLAB's intelliDRILL[®] scan modules are optimized for laser-based material processing applications that require numerous positioning and processing steps (jump and shoot), e. g. drilling printed circuit boards or perforating foils. The modules' low-weight mirrors and digital servo electronics enable beam positioning with maximum speed and precision.

The servo jump algorithms achieve minimum travel times and precise settling performance even over the full range of distances. The intelliDRILL[®] modules are thus predestined for very high jump frequencies.

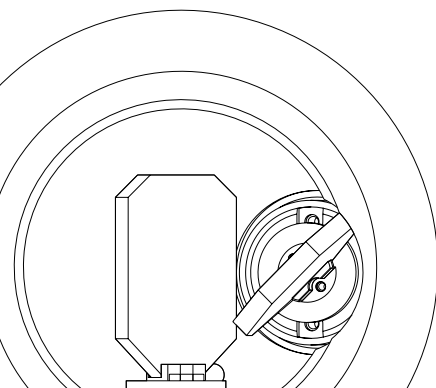
Water cooling of the products' scanners and electronics ensures reliability even under challenging operational conditions.

intelliDRILL[®] users benefit from a palette of features enabled by SCANLAB's iDRIVE[®] technology, including real-time monitoring and remote diagnosis of key operational states, internal monitoring capabilities, simulation-assisted process optimization and utilization of various dynamics tunings.

The scanners of intelliDRILL_{de}[®] scan modules are equipped with digital encoders and feature minimum drift values as well as lowest position noise.

Typical Applications:

- Drilling circuit boards
- Perforating foils
- Texturing surfaces



Optics

intelliDRILL® modules for CO₂ lasers are equipped with beryllium deflection mirrors. For beam focusing, a number of standard objectives and customer-specific solutions are available.

Control

Each intelliDRILL® module is equipped with two digital servo control boards and a digital interface board (20-bit SL2-100 interface or 16-bit XY2-100 Enhanced interface). The module can be conveniently controlled via SCANLAB's RTC®4 or RTC®5 PC interface board. Scanner control, scan head diagnosis and all essential configuration settings are achieved via software commands.

Type-Dependent Specifications

(all angles are in optical degrees)

	intelliDRILL® 20	intelliDRILL _{de} ® 20	intelliDRILL® 30	intelliDRILL _{de} ® 30
Aperture	20 mm	20 mm	30 mm	30 mm
Beam displacement	24.53 mm	24.53 mm	37.12 mm	37.12 mm
Step response ⁽¹⁾				
1 mm pitch	0.43 ms	0.43 ms	0.6 ms	0.6 ms
10 mm pitch	1.5 ms	1.5 ms	2.0 ms	2.0 ms
Via frequency for 1 mm raster ⁽¹⁾	2300 Hz	2300 Hz	1600 Hz	1600 Hz
Positioning resolution ⁽²⁾	2.8 µrad	1.3 µrad	2.8 µrad	0.83 µrad
Long-term drift over 8 hours ⁽³⁾	< 0.6 mrad	< 0.1 mrad	< 0.6 mrad	< 0.1 mrad
Nonlinearity	< 3.5 mrad	< 0.5 mrad	< 3.5 mrad	< 0.5 mrad
Weight with electronics	approx. 3 kg	approx. 3 kg	approx. 4 kg	approx. 4 kg

⁽¹⁾ positioning and settling to ±5 µm, with F-Theta objective, f = 100 mm

⁽²⁾ resolutions better than 11 µrad only together with SL2-100 interface

⁽³⁾ after warm-up

Quality

The high quality of SCANLAB's scan solutions is the result of years of experience in the development and manufacture of galvanometer scanners and scan systems. In addition, every intelliDRILL® must first pass the SCANcheck burn-in test before release for shipment to the customer.

Option

- intelliDRILL® 20 and intelliDRILL_{de}® 20 also available with housing as a scan head

Common Specifications

(all angles are in optical degrees)

Dynamic performance	
Repeatability (RMS)	< 2 µrad
Optical performance	
Typical scan angle	±0.26 rad
Gain error	< 5 mrad
Zero offset	< 5 mrad
Power requirements	48 V DC, max. 4 A or ±24 V DC, max. 4 A each
Interface	SL2-100 (20 bit) or XY2-100 Enhanced (16 bit)
Operating temperature	25 °C ± 10 °C
Cooling water	
Temperature	20 - 25 °C
Temperature variation	constant to ±1K



(주)에이이노텍

www.AINNOTECH.com

Email: korea@ainnotech.com



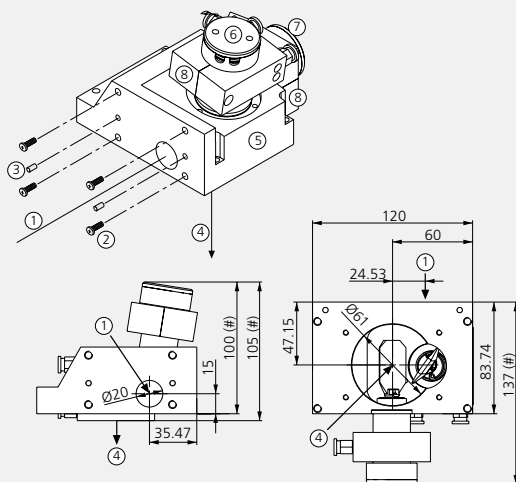
www.FIBERALL.co.kr

광통신 전문 소광물! 파이버올!

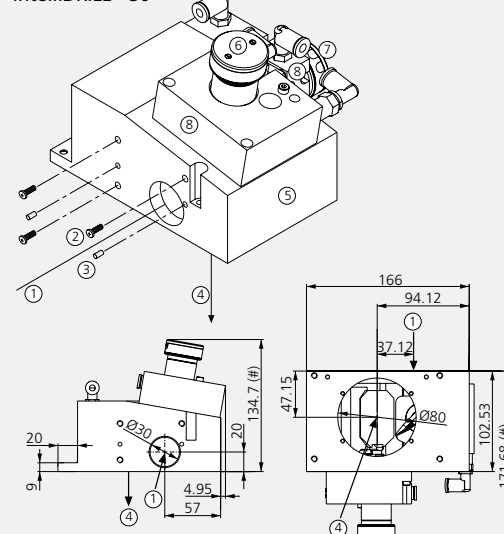
TEL: 02.409.3222 FAX: 02.409.3229

서울시 송파구 가락동 10-9 현성 B/D 2F

intelliDRILL® 20



intelliDRILL® 30



Legend

- 1 Beam in
 - 2 Screws *
 - 3 Alignment pins *
 - 4 Beam out
 - 5 Galvanometer mounting block
 - 6 Galvanometer 1
 - 7 Galvanometer 2
 - 8 Cooling blocks
- * not included

all dimensions in mm
(for intelliDRILL_{de}® modules, the dimensions marked with # are larger by up to 11 mm)