

High Power Single Element Laser

High Power 100 μ m Stripe Lasers

Princeton Lightwave offers a series of high power broad contact stripe lasers for long wavelength (1400 to 1850 nm) applications. These lasers feature a proprietary MQW laser structure that yields exceptional high power and reliability. Applications include solid state laser and fiber laser pumping. Lasers are available mounted on an industry-standard C block or as chip-on-submount.

Features:

- High Power 100 μ m aperture emitter
 - 2.2 W @ 1450 nm
 - 1.5 W @ 1850 nm
- High Reliability > 10⁵ hrs

Applications:

- Solid State Laser Pumping
- Fiber Laser Pumping
- Medical Instrumentation
- Defense/Aerospace

Key Product Specifications Typical Values, T=20° C, BOL

Parameter	1450 nm	1850 nm	units
Maximum CW Output Power	2.2	1.5	W
Forward Voltage	1.5	1.6	V
Threshold Current	0.8	0.7	A
Slope Efficiency	0.45	0.3	W/A

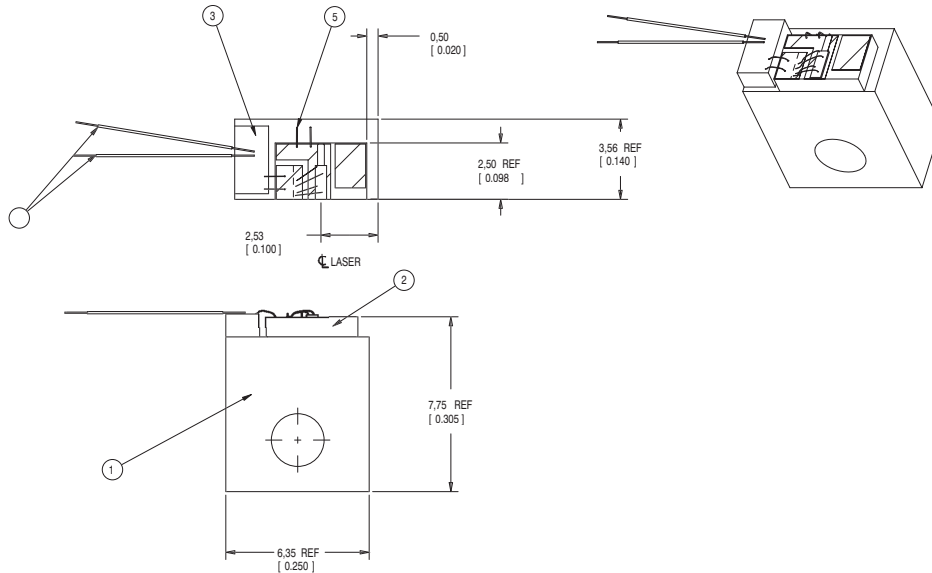
Princeton Lightwave, Inc.
2555 Route 130 South Suite 1, Cranbury, NJ 08512
Tel: 609.495.2600
Fax: 609.395.9114
email: sales@princetonlightwave.com
website: www.princetonlightwave.com

Princeton Lightwave, Inc. reserves the right to make changes to the product(s) and information contained herein without notice. No liability is assumed by Princeton Lightwave as a result of the use or application of this product.

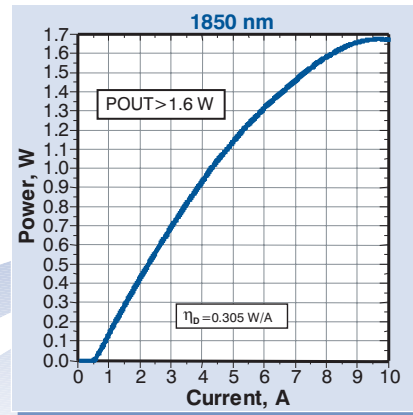
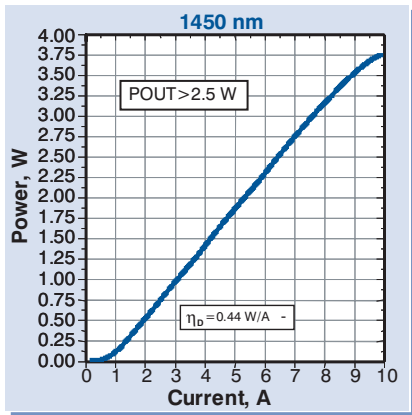
Copyright 2005 Princeton Lightwave, Inc.
All rights reserved.



Mechanical Drawing



Graphs



Princeton Lightwave, Inc.
 2555 Route 130 South Suite 1, Cranbury, NJ 08512
 Tel: 609.495.2600
 Fax: 609.395.9114
 email: sales@princetonlightwave.com
 website: www.princetonlightwave.com

Princeton Lightwave, Inc. reserves the right to make changes to the product(s) and information contained herein without notice. No liability is assumed by Princeton Lightwave as a result of the use or application of this product.

Copyright 2005 Princeton Lightwave, Inc.
 All rights reserved.

