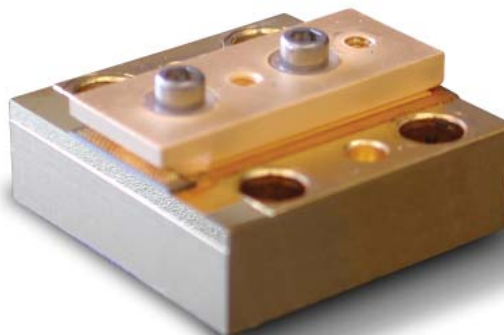


## High Power Multimode Laser Arrays

### PML-1xx series

Princeton Lightwave offers a series of high power laser diode arrays for long wavelength (1400 to 1850 nm) applications. These lasers feature a proprietary MQW laser structure that yields exceptional high power and reliability. Applications include solid state laser and fiber laser pumping. Arrays are mounted on a copper block heat sink that can be easily cooled to achieve specified output powers.



#### Features:

- High Power 1 cm arrays
  - 25W @ 1450 nm
  - 10W @ 1850 nm
- High Reliability

#### Applications:

- Solid State Laser Pumping
- Fiber Laser Pumping
- Medical Instrumentation
- Defense/Aerospace

### Key Product Specifications

#### 1450/1470 nm and 1850 nm Long Wavelength Arrays

Parameter			units
Wavelength	1450/1470	1850	nm
Maximum Output Power	25	>10	W
Forward Voltage	1.25	1.3	V
Threshold Current	15	8	A
Wavelength Tolerance	±20	±20	nm
Spectral Width	8	13	nm
Slope Efficiency	0.48	0.31	W/A
Slow Axis Divergence (FWHM)	8	10	degrees
Fast Axis Divergence (FWHM)	42	65	degrees
Number of Emitters	19	10	
Emitter Width	100	100	μm
Emitter Pitch	500	1000	μm
Fill Factor	20	10	%
Bar Length	1	1	cm

#### Ordering Information

Product Number	Description
PML-150	1450 nm CS mounted bar
PML-170	1470 nm CS mounted bar
PML-185	1532 nm CS mounted bar

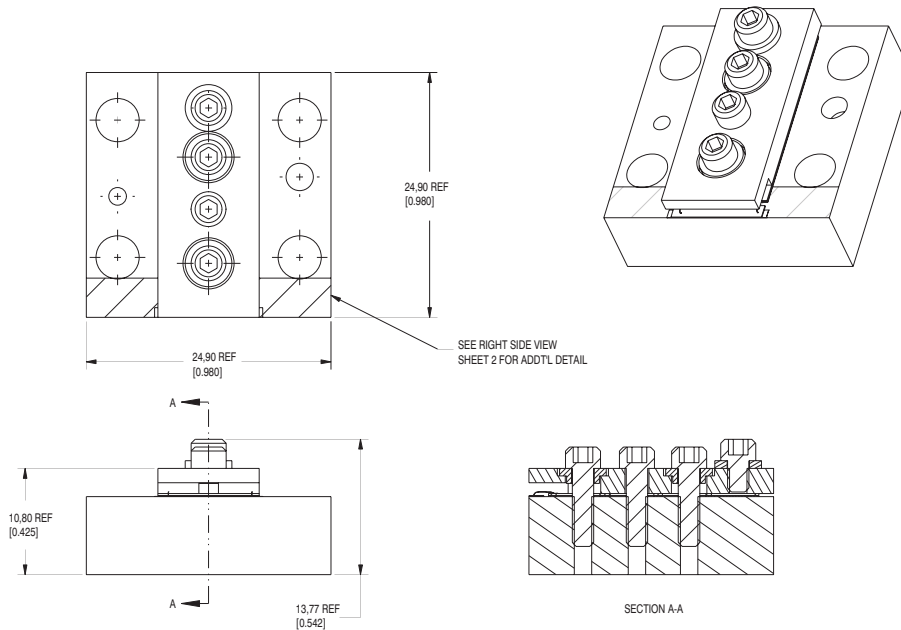
Princeton Lightwave, Inc.  
2555 Route 130 South Suite 1, Cranbury, NJ 08512  
Tel: 609.495.2600  
Fax: 609.395.9114  
email: sales@princetonlightwave.com  
website: www.princetonlightwave.com

Princeton Lightwave, Inc. reserves the right to make changes to the product(s) and information contained herein without notice. No liability is assumed by Princeton Lightwave as a result of the use or application of this product.

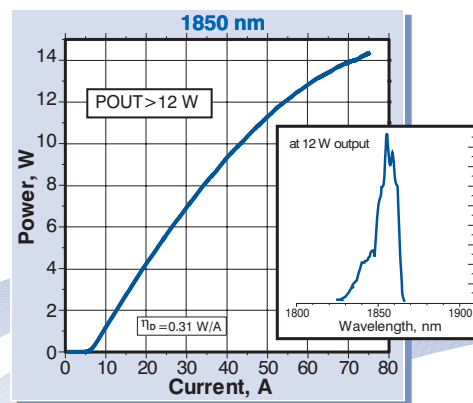
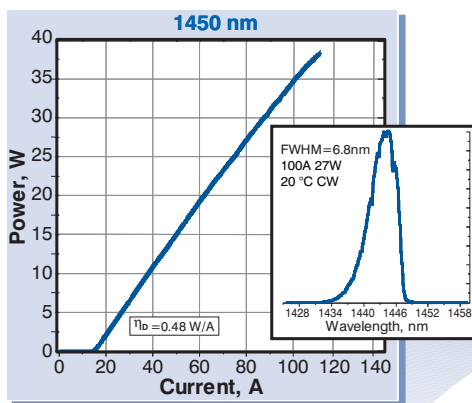
Copyright 2005 Princeton Lightwave, Inc.  
All rights reserved.



## Mechanical Drawing



## Performance



Princeton Lightwave, Inc.  
2555 Route 130 South Suite 1, Cranbury, NJ 08512  
Tel: 609.495.2600  
Fax: 609.395.9114  
email: sales@princetonlightwave.com  
website: www.princetonlightwave.com

Princeton Lightwave, Inc. reserves the right to make changes to the product(s) and information contained herein without notice. No liability is assumed by Princeton Lightwave as a result of the use or application of this product.

Copyright 2005 Princeton Lightwave, Inc.  
All rights reserved.

