

## FEMTOSECOND SEED LASER

### 1025-1070 nm



#### KEY BENEFITS

- Selectable repetition rate
- Modular internal design
- Active air cooled
- Single mode linear polarized fiber output
- Compressable to <300 fs pulse duration

#### APPLICATIONS

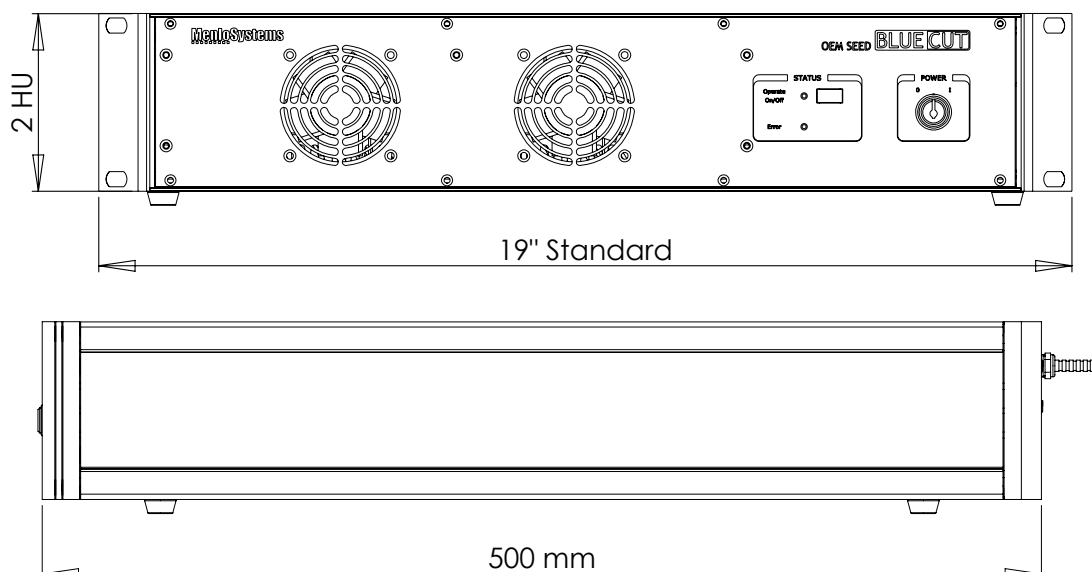
- Seed for solid state lasers
- Seed for fiber lasers
  - Ophthalmology
  - Material processing
  - Cold ablation
  - Thin film processing
  - Nonlinear conversion

The **BlueCut OEM Seed** is a high repetition rate ultrashort pulse laser in a compact turnkey design. It is designed as a seed source for ultrafast chirped pulse laser amplifiers.

Available center wavelengths allow for seeding of the established active solid state and fiber laser materials. It is suitable for the generation of highest peak

power pulses with sub 300 fs duration. The laser covers a wide range of repetition rates with constant pulse energy. The BlueCut OEM seed is designed for industrial application with full remote control over RS232 or USB interface. The compact rack mount housing allows easy intergration into complete laser machinery systems.

#### BlueCut OEM Seed Technical Drawing



# BlueCut OEM Seed



**AInnoTech** www.AINNOTECH.com  
 (주)에이이노텍 Email: korea@ainnotech.com  
**FiberAll** TEL: 02,409,3222 FAX: 02,409,3229  
 www.FIBERALL.co.kr 광릉신 전문 쇼핑몰! 파이퍼홀! 서울시 송파구 가락동 10-9 현성 B/D 2F

## FEMTOSECOND SEED LASER

### MATCHING AMPLIFIER MATERIALS

Wavelength	Material
1025 nm - 1070 nm	Yb: fiber (silicate)
1025 nm - 1065 nm	Yb: phosphate glass
1025 nm - 1055 nm	Yb: NGW
1025 nm - 1039 nm	Yb: KYW
1030 nm	Yb: YAG
1030 nm - 1070 nm	Yb: silicate glass
1034 nm	Yb: Lu <sub>2</sub> O <sub>3</sub>
1035 nm - 1037 nm	Yb: KGW
1041 nm	Yb: Sc <sub>2</sub> O <sub>3</sub>
1047 nm	Nd: YLF (pi)
1053 nm	Nd: YLF (sigma)
1054 nm	Nd: phosphate glass
1057 nm - 1070 nm	Nd: fiber
1062 nm	Nd: silicate glass
1064 nm	Nd: YAG

Call us for further information

### SPECIFICATIONS

Selectable Center Wavelength	1025 nm - 1070 nm
Spectral Bandwidth (FWHM)	7-12 nm
Selectable Repetition Rate	100 kHz - 10 MHz
Pulse Energy	2 nJ
Pulse Duration	50 - 500 ps, compressible to <300 fs
Polarization	linear polarized
Output Port	single mode fiber, SC/APC connector

### UTILITY AND ENVIRONMENTAL REQUIREMENTS

Operating Voltage	24 VDC, 120 W (opt. power supply for 100-240 VAC/50-60 Hz)
Power Consumption	<120 W
Cooling Requirements	no water cooling is required
Warm-up Time	20 min
Output fiber Length	4 m
Communication Interface	RS232 or USB
Range of Operating Temperature	15 to 40°C
Dimensions	19" x 2U x 495 mm (448 x 88.5 x 495 mm <sup>3</sup> )
Weight	15 kg

### ORDERING INFORMATION

BlueCut OEM Seed	Femtosecond Fiber Seed Laser
------------------	------------------------------

Please call for pricing. Specifications are subject to change without notice. Custom modifications are available, please inquire.

Last updated: May 06, 2013

### MenloSystems

**Menlo Systems GmbH**  
 Am Klopferspitz 19a  
 D-82152 Martinsried  
 Germany

T+49 89 189 166 0  
 F+49 89 189 166 111  
 sales@menlosystems.com

www.menlosystems.com

**Menlo Systems, Inc.**  
 56 Sparta Avenue  
 Newton, NJ07860  
 USA

T+1 973 300 4490  
 F+1 973 300 3600  
 ussales@menlosystems.com

**Thorlabs, Inc.**  
 56 Sparta Avenue  
 Newton, NJ07860  
 USA

T+1 973 579 7227  
 F+1 973 300 3600  
 sales@thorlabs.com

www.frequencycomb.com

**Thorlabs Japan, Inc.**  
 Higashi Ikebukuro  
 Q Building 2 nd Floor 2-23-2  
 Toshima-ku, Tokyo 170-00 13  
 Japan

T+81 3 5979 8889  
 F+81 3 5979 7285  
 sales@thorlabs.jp

**Pinnacle Scientific**  
 (China) Coporation  
 No. 100 Minxin Road  
 Winning International  
 Building Suite 2404  
 Jiangnan District  
 Hangzhou 310020, China

T+86 571 882 251 51  
 F+86 571 882 252 52  
 sales@psci.cn

**Thorlabs China**  
 Room A 101, No. 100  
 Lane 2891,  
 South Qilianshan Road  
 Putuo District  
 Shanghai 200331  
 China

T+86 21 6056122  
 F+86 21 325 13480  
 chinasales@thorlabs.com



Invisible laser radiation  
 Avoid direct eye exposure  
 Class 3B laser